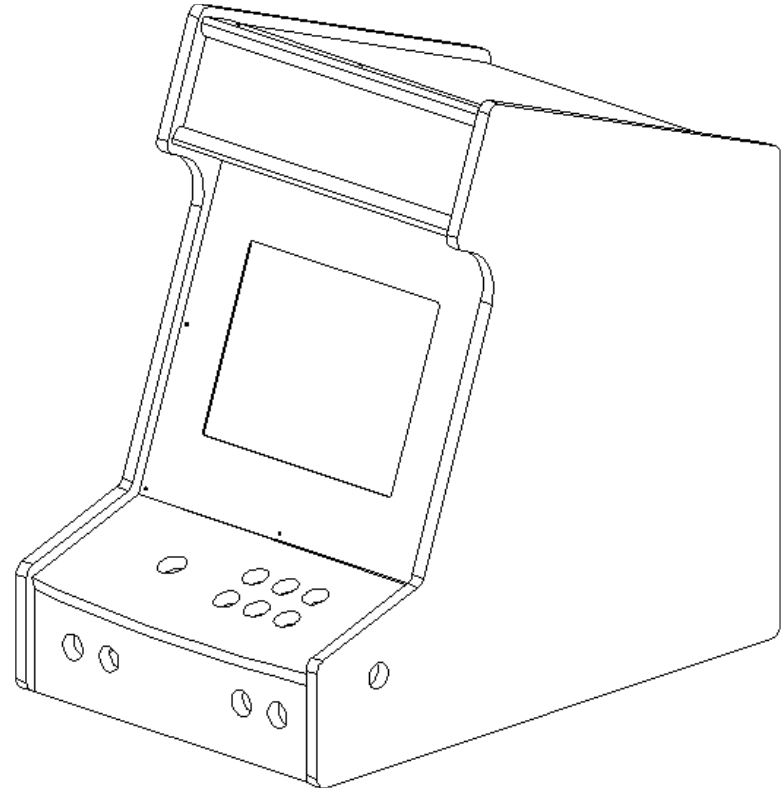

ASSEMBLY INSTRUCTIONS

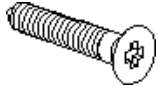





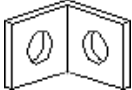
RETRO ARCADE BARTOP

- Model #: UABARTOP

- Assembly of cabinet in or near final destination is recommended
- Measure all doorways and stairways leading to final destination before assembly



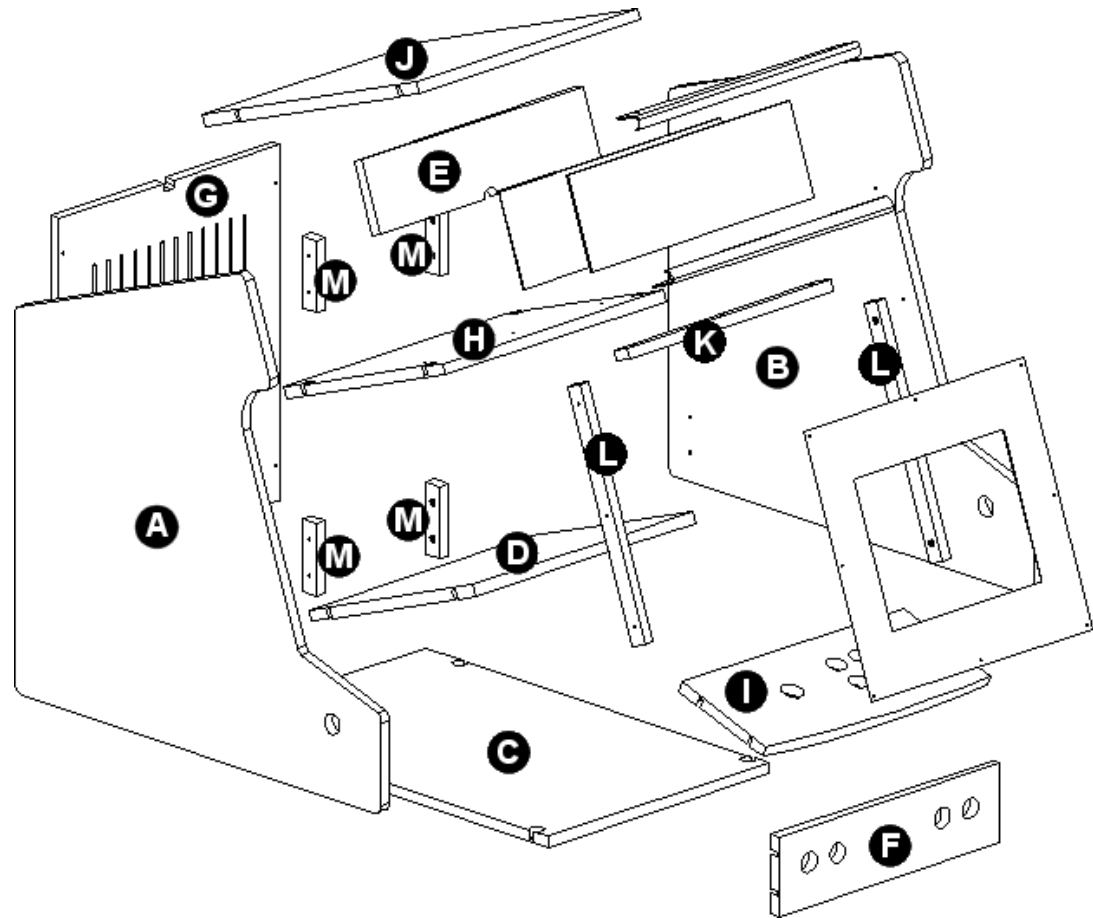
HARDWARE INCLUDED

S1		21	#8 x 1" long flat head wood screw
S2		14	#4 x 3/4" long pan head screw
H1		4	10mm hole cap (black)
C1		26	Drop-on assembly cam (Black)
P1		26	5mm Eurothread pin
T1		25 Ft	3/4" Black t-molding
L1		4	1" Corner bracket

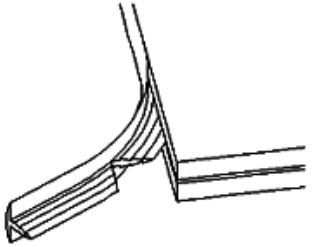
WHAT YOU WILL NEED (Not Included)

- 1) Black spray paint or flat black latex paint
- 2) Razor blade
- 3) Hammer
- 4) Phillips head screwdriver
- 5) Masking tape

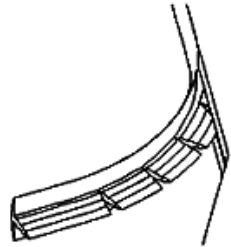
PARTS INCLUDED (Letters are placed on each panel for easy identification)



STEP 1

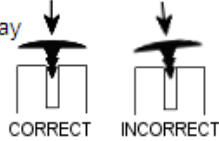


Use a razor blade to cut a v-shaped notch in the t-molding at the outside corners.

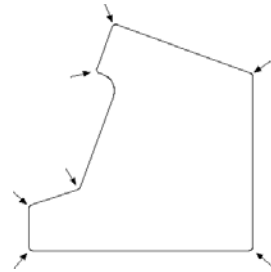


Use a razor blade to cut slits in the t-molding at the inside corners.

NOTE: Improper installation of the t-molding may result in an exposed edge of the wood panel. If this should occur, remove the t-molding and reinstall as shown to the right.

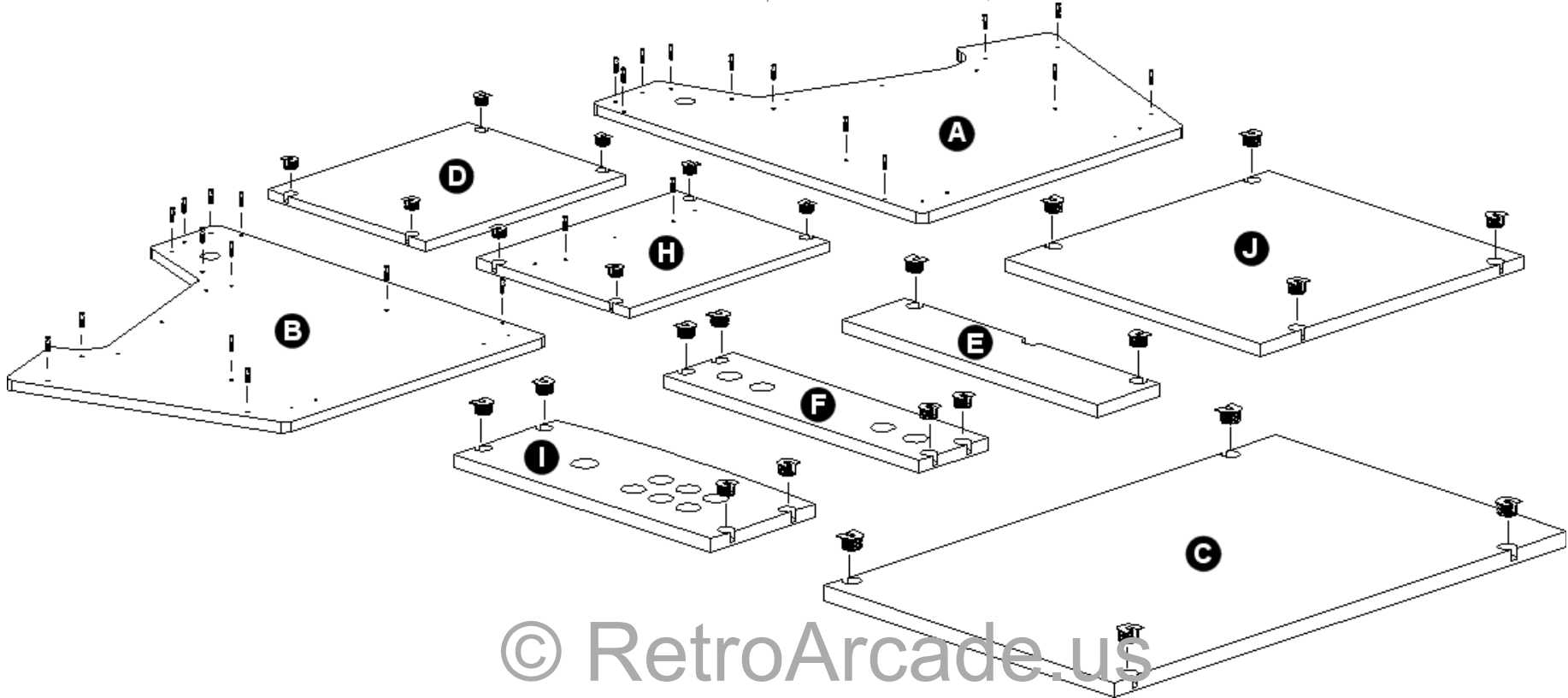


Install t-molding on panels A, B and I in the pre-cut slots using the methods illustrated to the right. Notch or slit the t-molding barbs at the corners designated with arrows in the diagram below for panels A and B. Use a rubber mallet (or hammer) to gently tap the t-molding into the pre-cut grooves in the panels. Use a razor blade to trim off any excess t-molding so the edge of the t-molding is flush with the panel.



- Install 12 threaded pins (P1) in panels A & B.
- Install 4 black cams (C1) and 2 threaded pins (P1) in panel H.
- Install 4 black cams (C1) in panels D, F, I, J and C.
- Install 2 black cams (C1) in panel E.

Note: Be sure the flat edge of the cams (C1), are flush and in line with the edge of the panel.

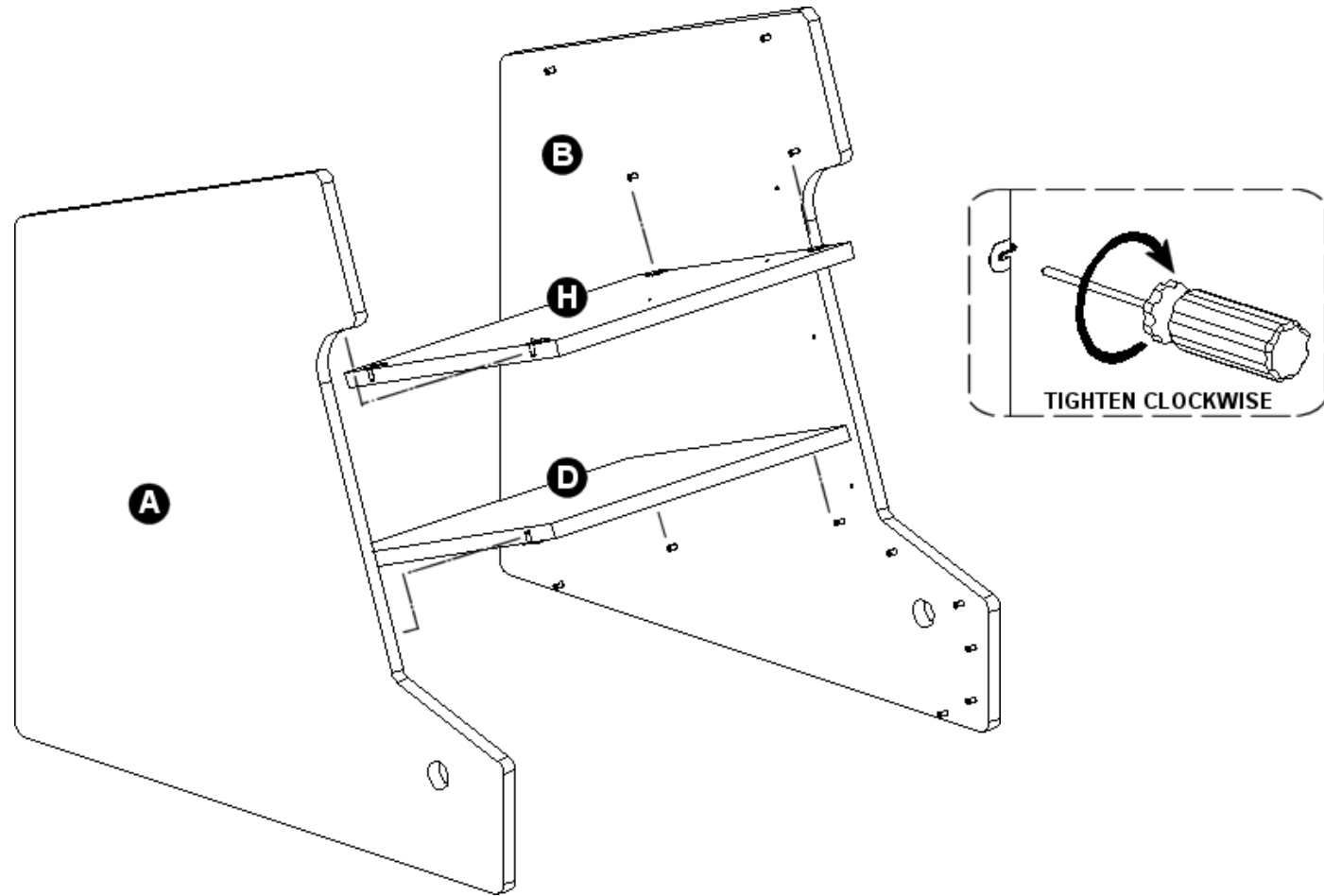


STEP 2

ASSEMBLY INSTRUCTIONS:

Attach panels H and D to panels A and B as show in the diagram below. Use a screwdriver and fully tighten each of the engaging cams.

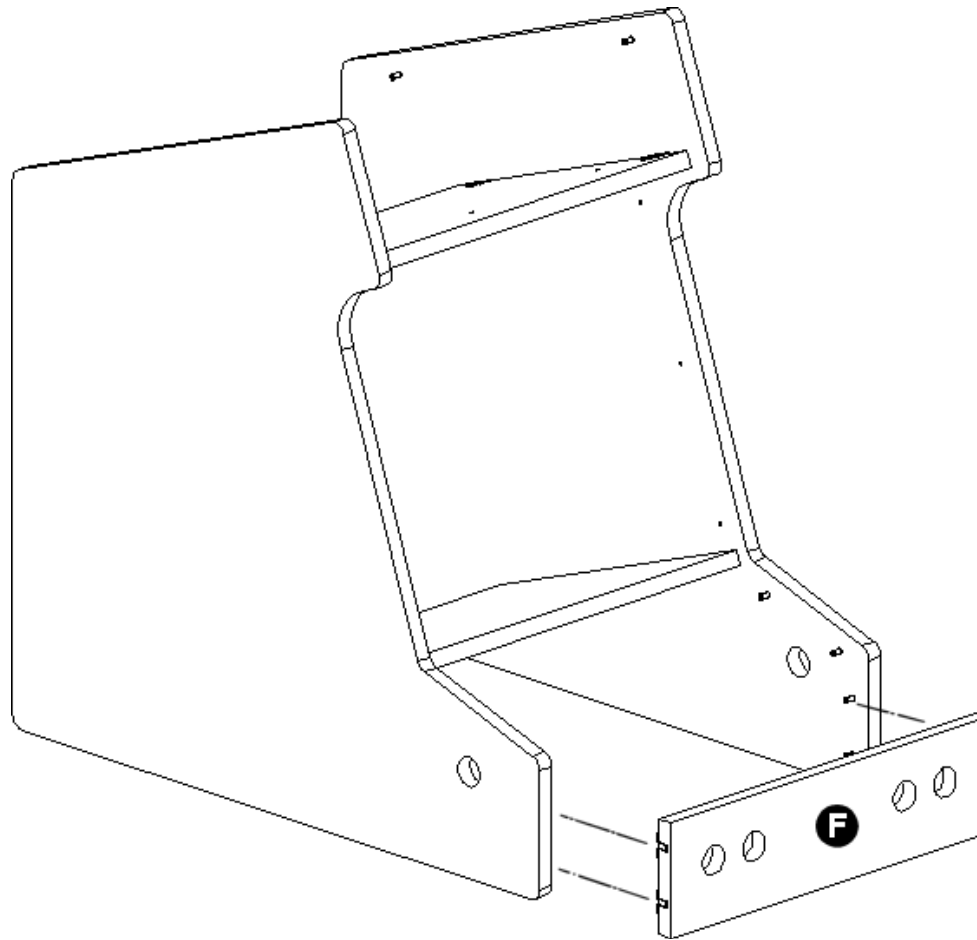
Note: Install panel H with the small holes and threaded pins in panel H are towards the front of the cabinet.



STEP 3

ASSEMBLY INSTRUCTIONS:

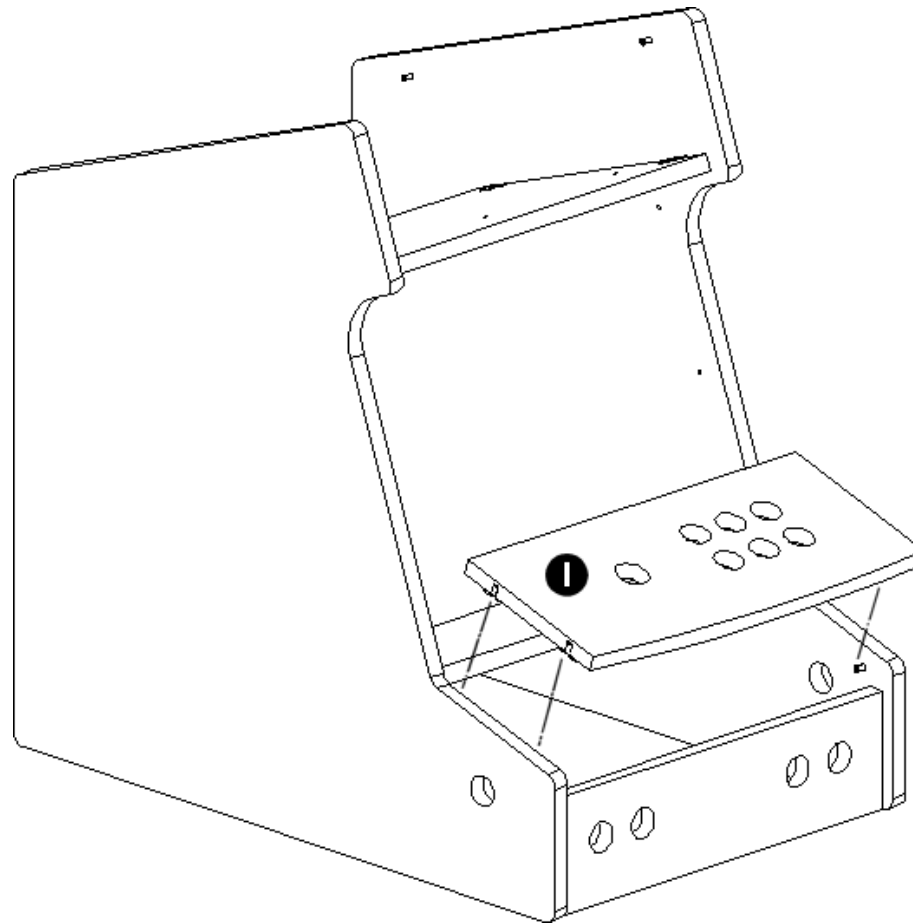
Attach panel F to panels A and B as show in the diagram below. Use a screwdriver and fully tighten each of the engaging cams.



STEP 4

ASSEMBLY INSTRUCTIONS:

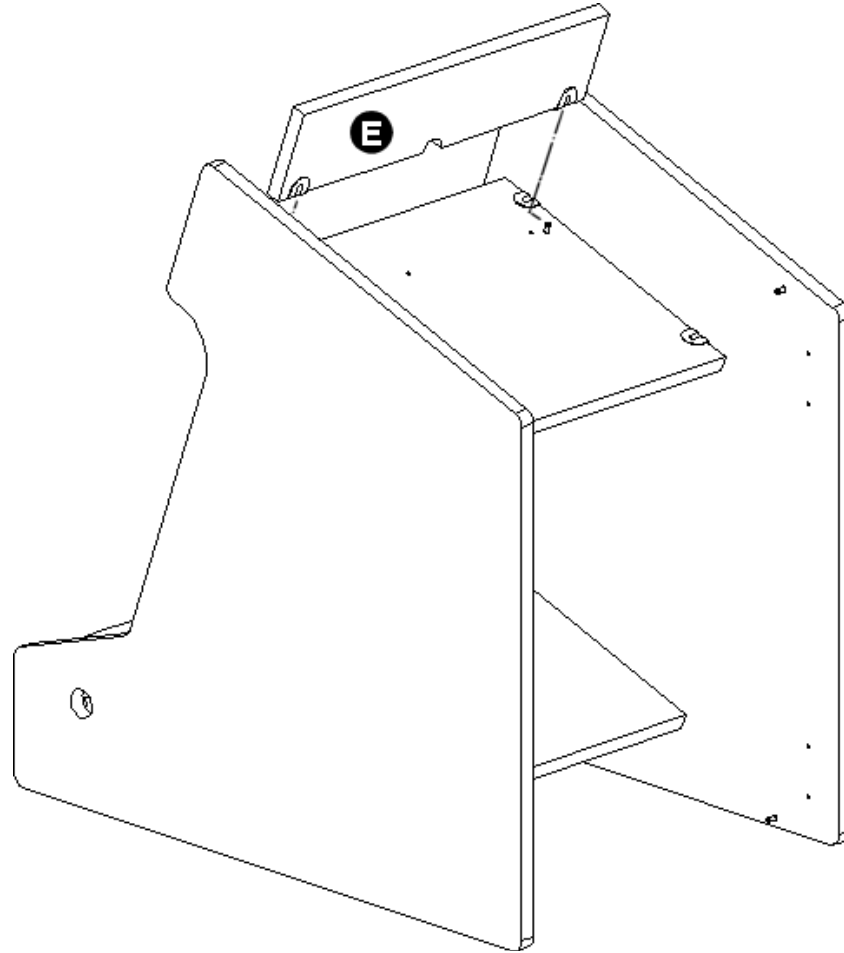
Attach panel I to panels A and B as show in the diagram below. Use a screwdriver and fully tighten each of the engaging cams.



STEP 5

ASSEMBLY INSTRUCTIONS:

Attach panel E to panel H as show in the diagram below. Use a screwdriver and fully tighten each of the engaging cams.

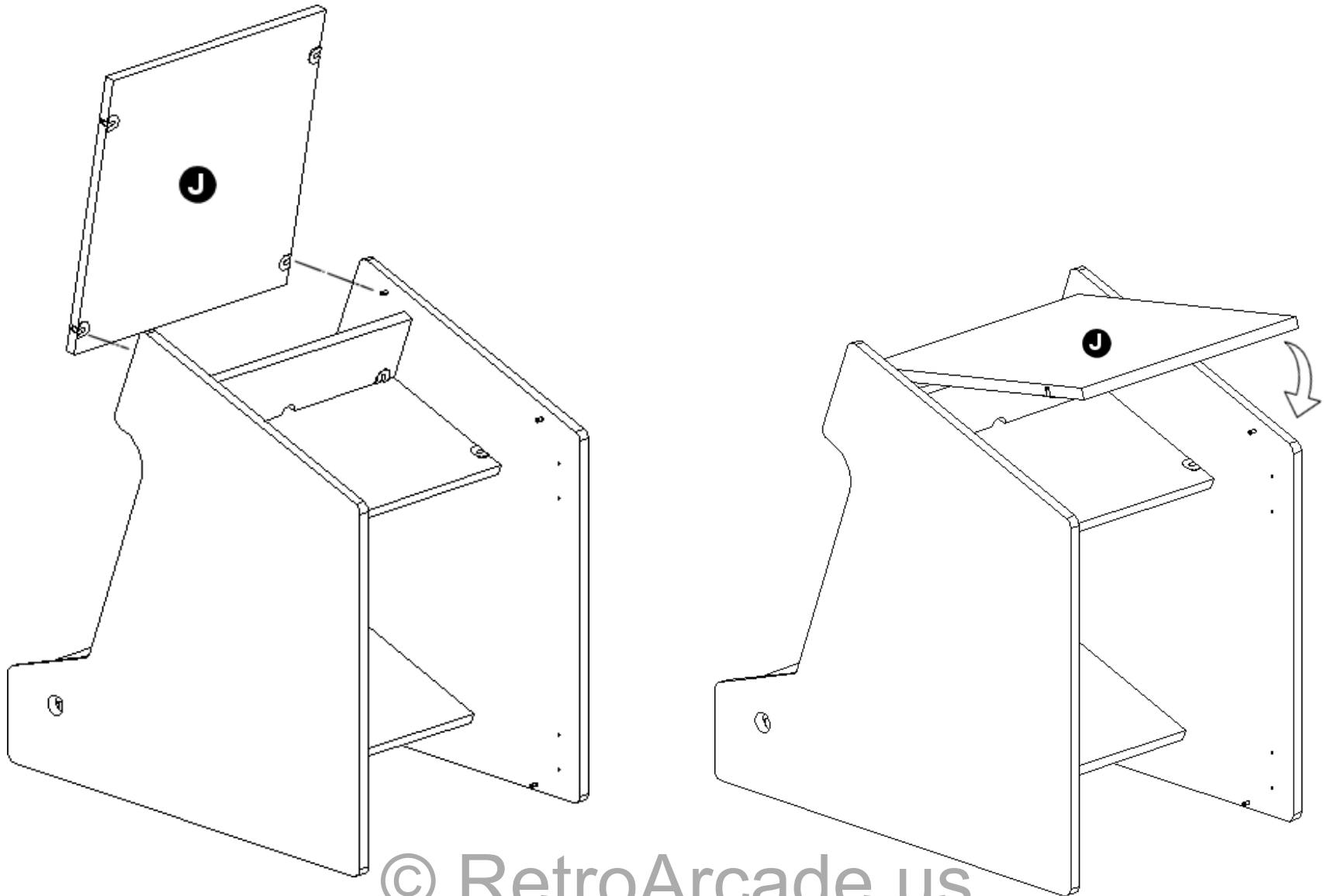


STEP 6

ASSEMBLY INSTRUCTIONS:

Attach panel J to panels A and B as show in the diagram below. Use a screwdriver and fully tighten the two front cams while the panel is in a vertical position. Swing panel J downward to engage the rear 2 cams with the threaded pins in panels A and B. Fully tighten the remaining cams.

Note: The cams that are closest to the edge of panel J will be towards the front of the cabinet.

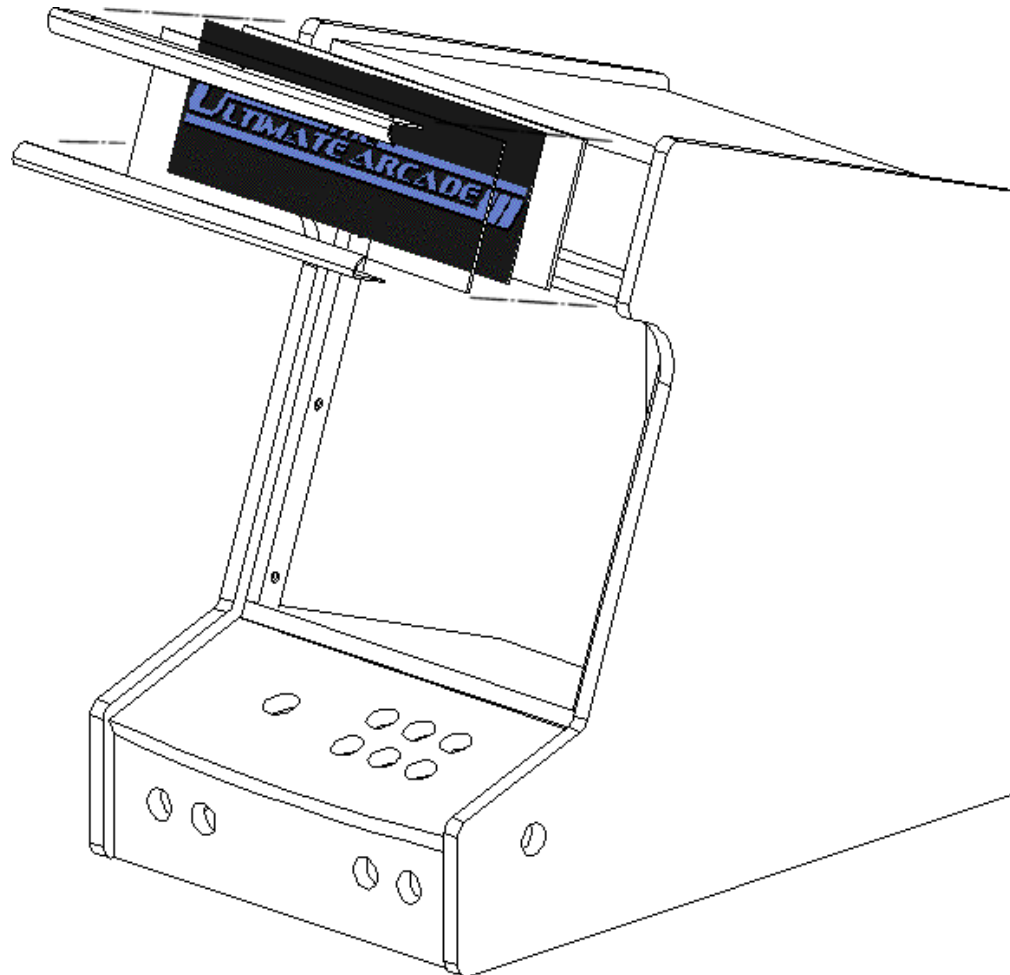


STEP 7

MARQUEE INSTALLATION:

Remove the protective backing on both sides of the marquee Plexiglas. Place a printed 16.25" x 5.25" marquee (not included) between the two pieces of marquee Plexiglas. Position the marquee assembly in the marquee opening and secure using the included marquee retainers. Fasten the marquee retainers to the cabinet using the black pan head screws (S2).

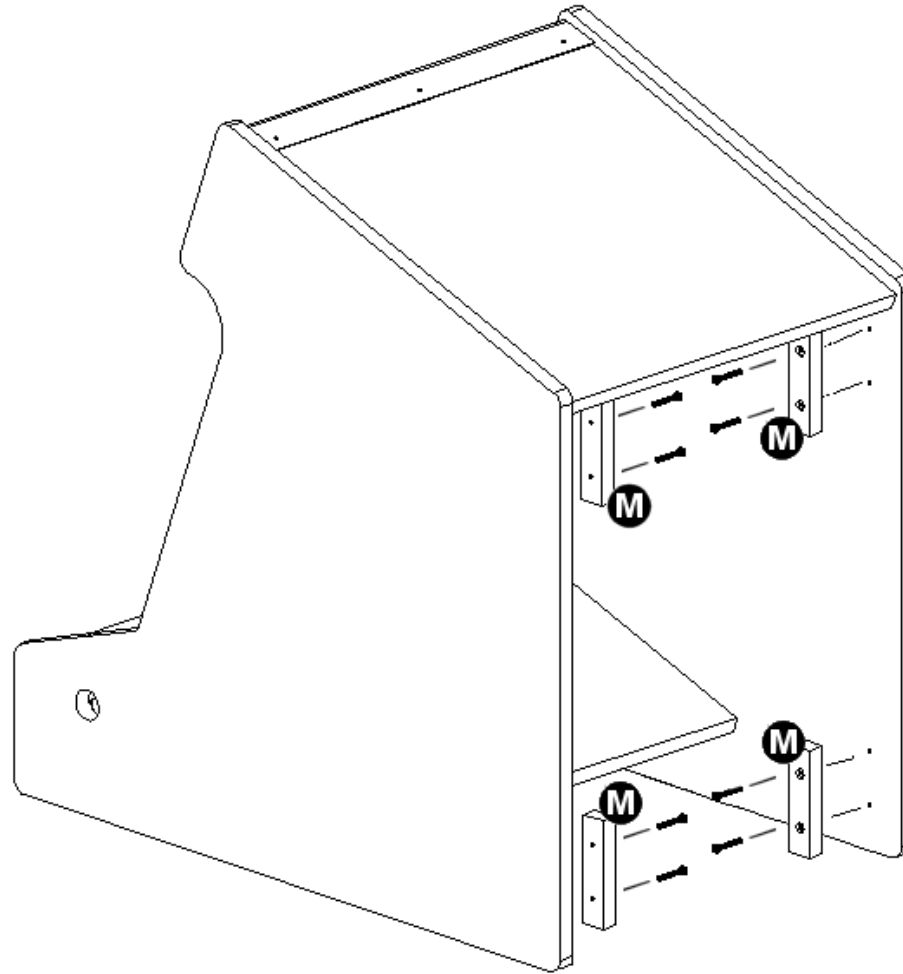
Note: Optional lighting fixture should be installed prior to installing the marquee assembly.



STEP 8

ASSEMBLY INSTRUCTIONS:

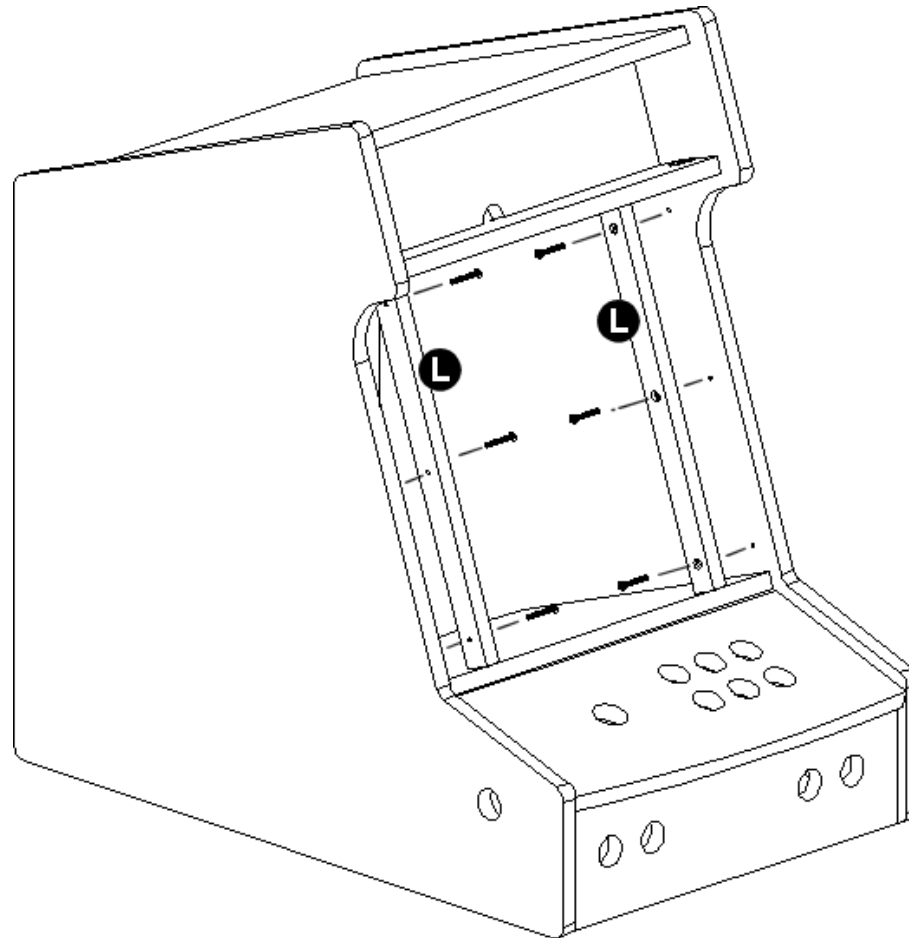
Using (2) 1" long wood screws (S1), attach 4 panel M's to panels A and B as show in the diagram below.



STEP 9

ASSEMBLY INSTRUCTIONS:

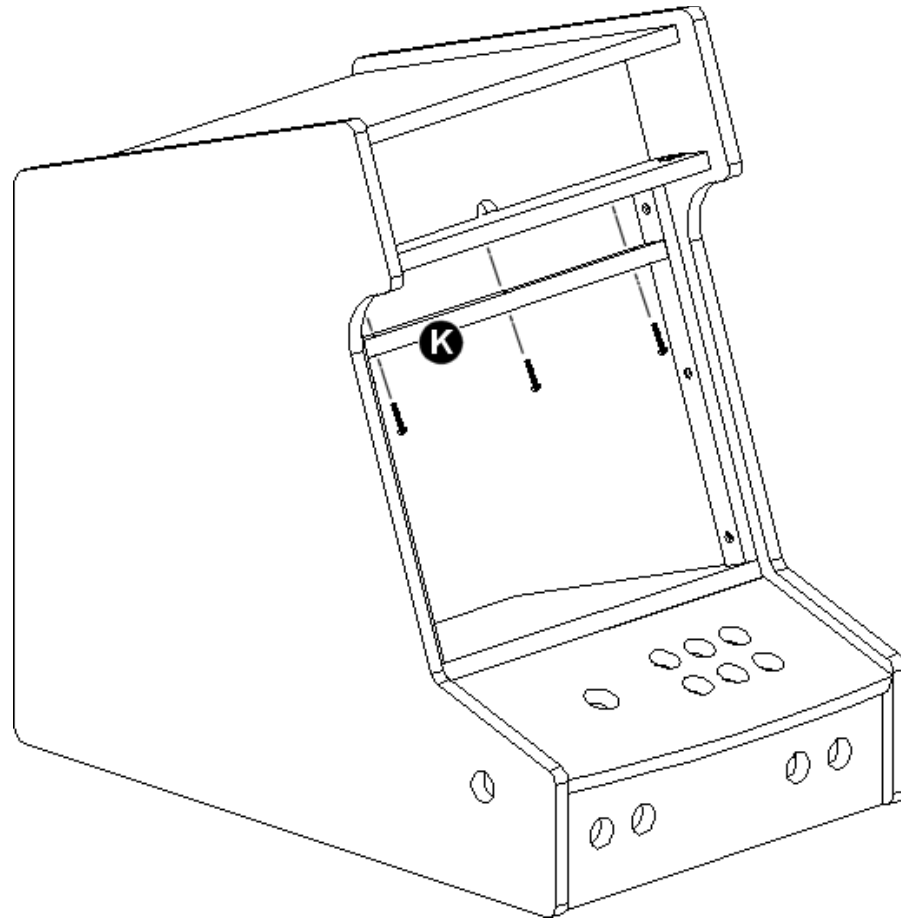
Using (3) 1" long wood screws (S1), attach both panel L's to panels A and B as show in the diagram below.



STEP 10

ASSEMBLY INSTRUCTIONS:

Using (3) 1" long wood screws (S1), attach panel K to panel H show in the diagram below.

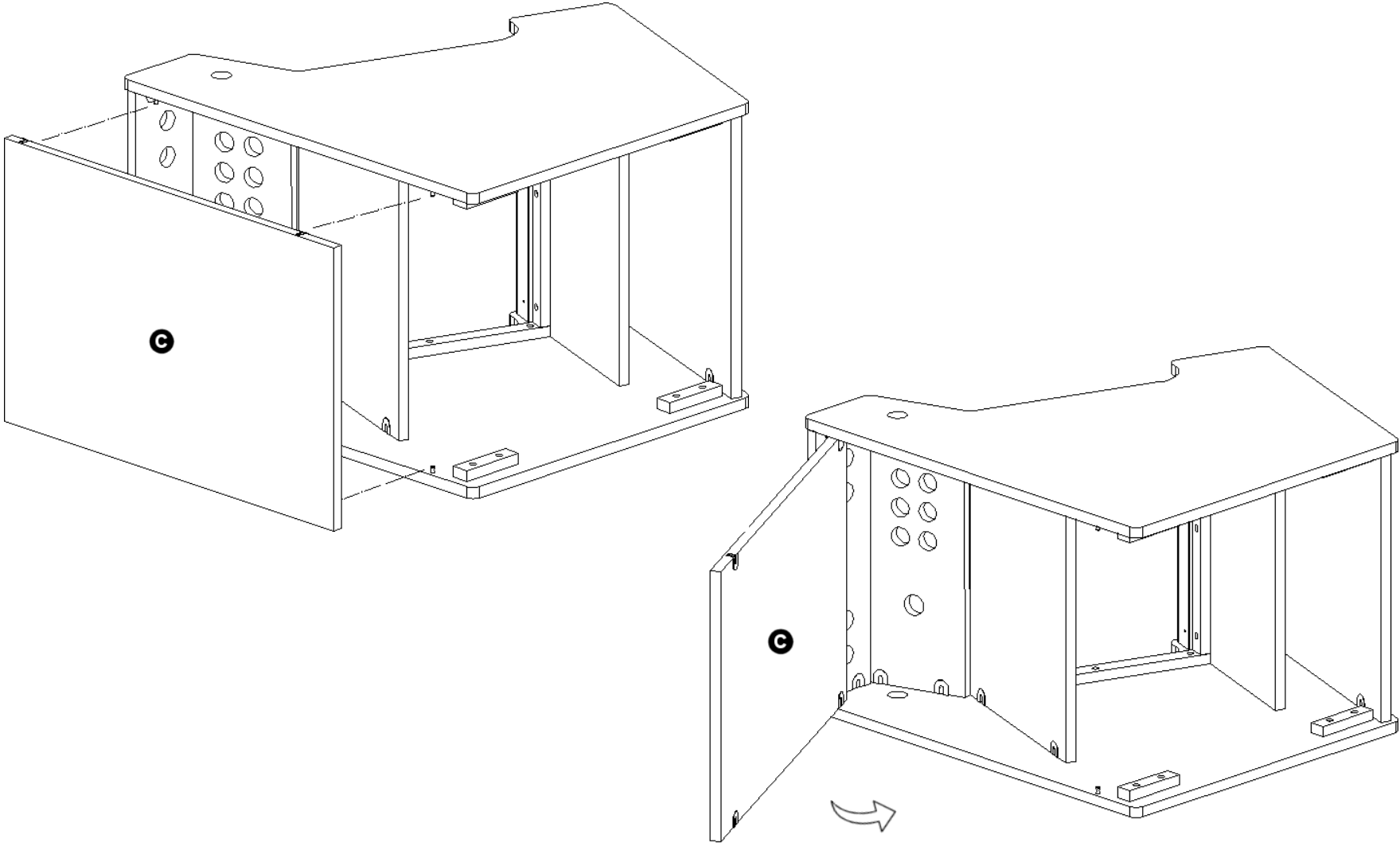


STEP 11

ASSEMBLY INSTRUCTIONS:

Attach panel C to panels A and B as show below. Pivot panel C until the front two cams are easily accessible with a screwdriver. Fully tighten the front to cams. Pivot panel C back to the original position and tighten the remaining cams.

Note: Install all controls prior to attaching panel C. Please follow the control manufacturer's installation instructions when installing and wiring controls.



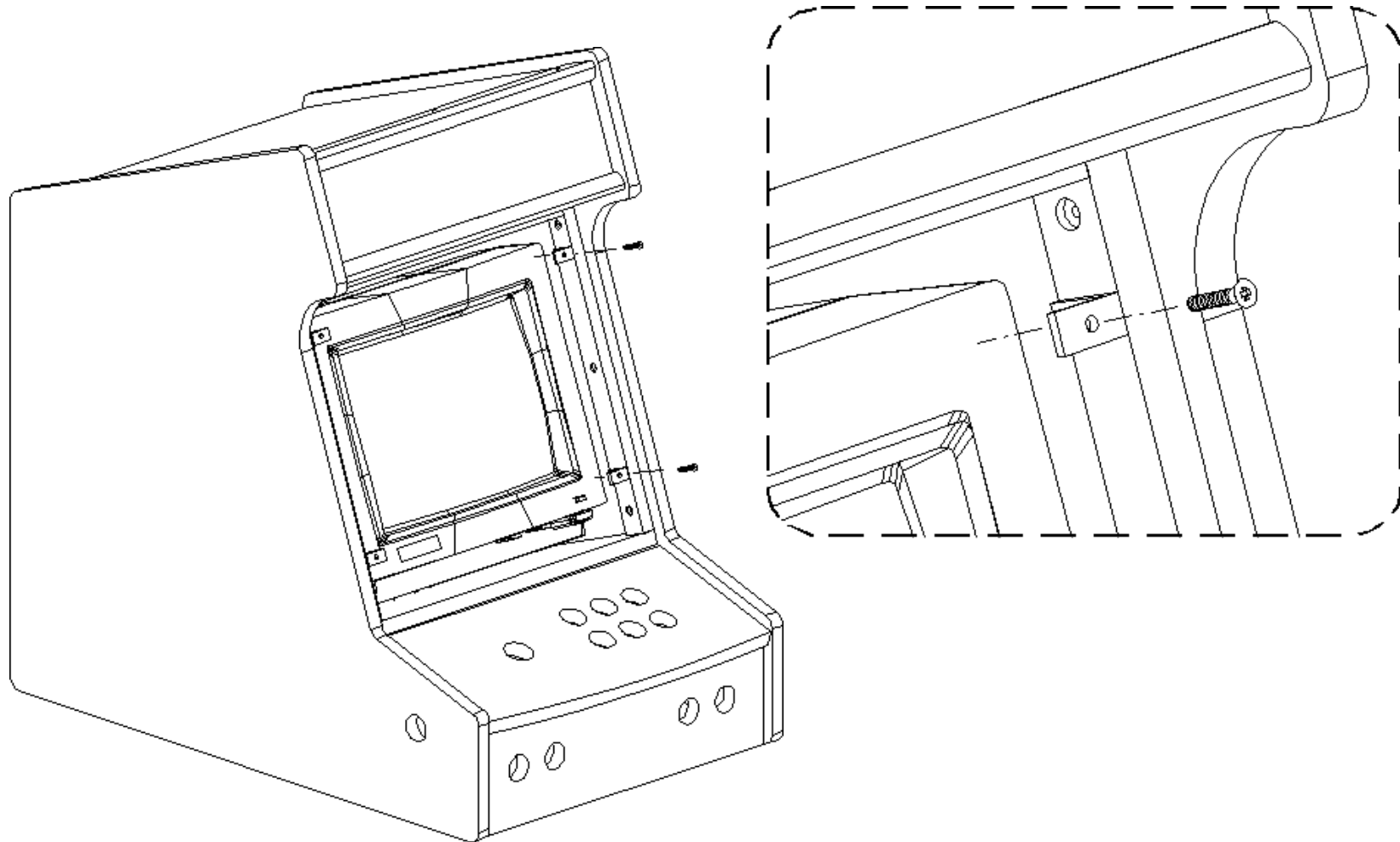
STEP 12

MONITOR INSTALLTION:

IMPORTANT NOTE: The method described in this step is a suggested installation method. Due to the variations in monitor designs, this method may not be used on all monitors.

Position the monitor so that the outer most edges are flush with the monitor bezel frame panels L and K. Secure the monitor in this position using 4 I-brackets and 1" long wood screws.

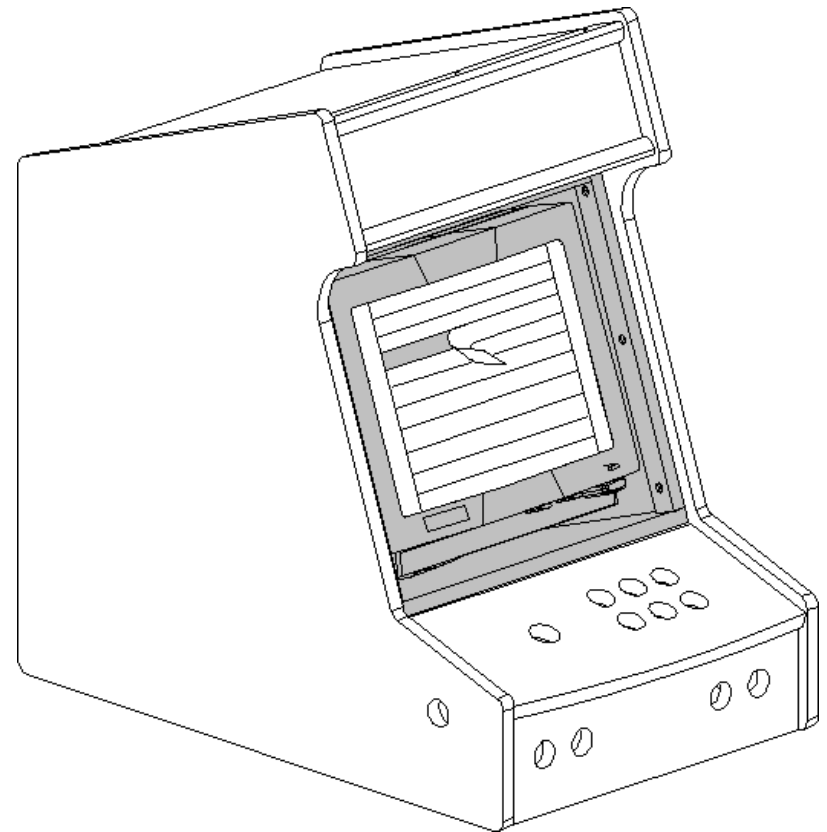
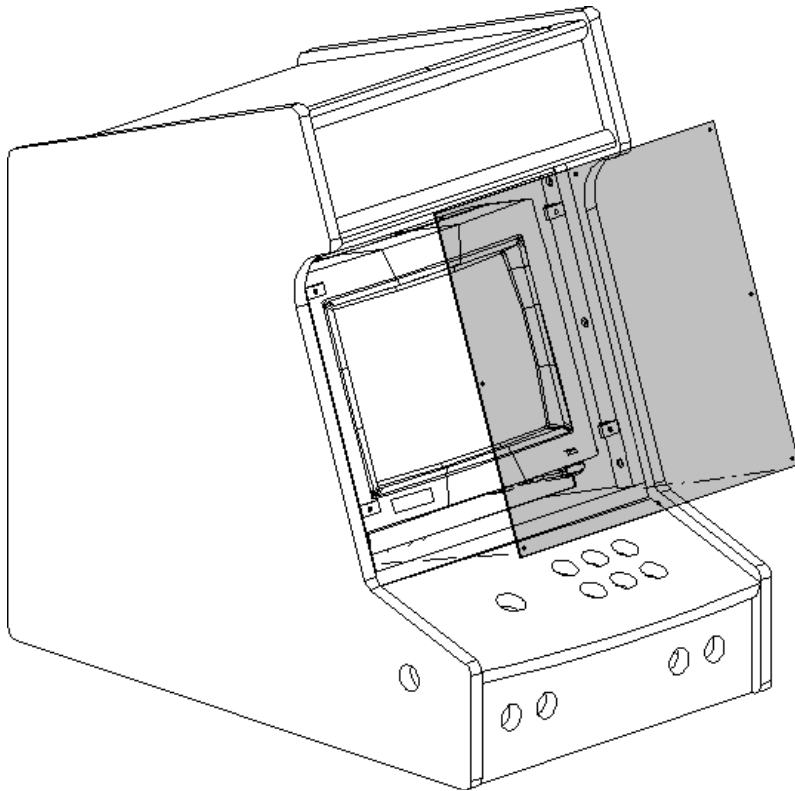
CAUTION: Installing wood screws through the monitor casing may crack or damage the monitor screen. Use this installation method **AT YOUR OWN RISK !!!**



STEP 13

ASSEMBLY INSTRUCTIONS:

Remove the protective backing on both sides of the bezel Plexiglas. Temporarily install the monitor bezel Plexiglas on the assembled cabinet. Using masking tape, mask off the screen area of the monitor as shown below. Remove the bezel and paint the side with the masking tape with flat black spray paint or flat black latex paint. Apply 2-3 coats of paint ensuring complete coverage. Allow the paint to dry and carefully remove the masking tape.

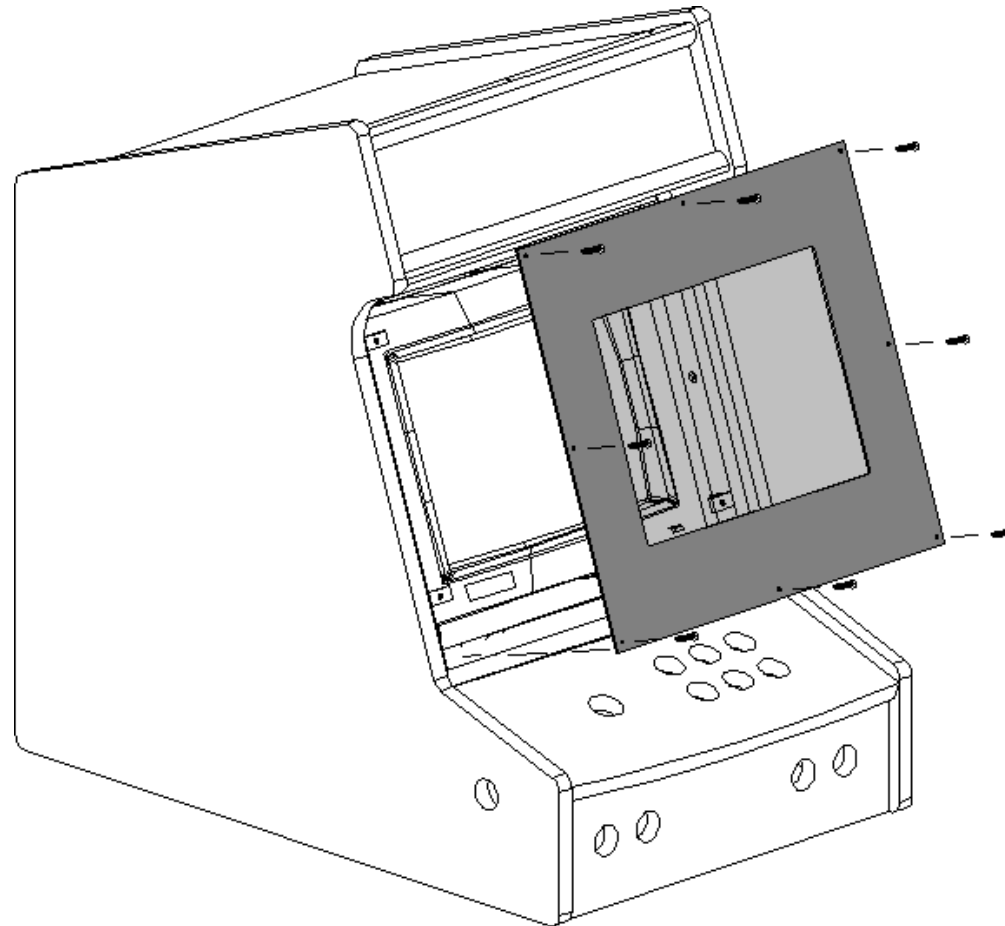


STEP 14

ASSEMBLY INSTRUCTIONS:

Fasten the finished bezel to the cabinet using 8 black pan head screws (S2).

Note: Be sure the non-paint side of the bezel is facing outward.



STEP 15

ASSEMBLY INSTRUCTIONS:

Attach panel G to the cabinet assembly using (4) 1" long wood screws (S1) as shown below. Cover the 4 screw holes with the black hole caps (H1).

Note: Install all electrical components prior to attaching panel G. Placement and installation of the components must be determined based on the design/size of each the components.

